



**GF- 136GM ECLIPSE
Vessel Faucet, Gunmetal**

Requested By: _____

Specific Features: _____

STANDARD SPECIFICATIONS:

- Single handle control
- Solid brass construction
- High pressure ceramic cartridge
- Single hole deck mount installation
- Spout reach: 3.75-inches
- Spout height: 8-inches
- 1.5-inch mounting hole diameter
- cUPC and AB1953 low lead compliant
- ASME A112.18.1-1-2011/CSA B125.1-11
- NSF 61 and NSF 372 certified
- ADA compliant

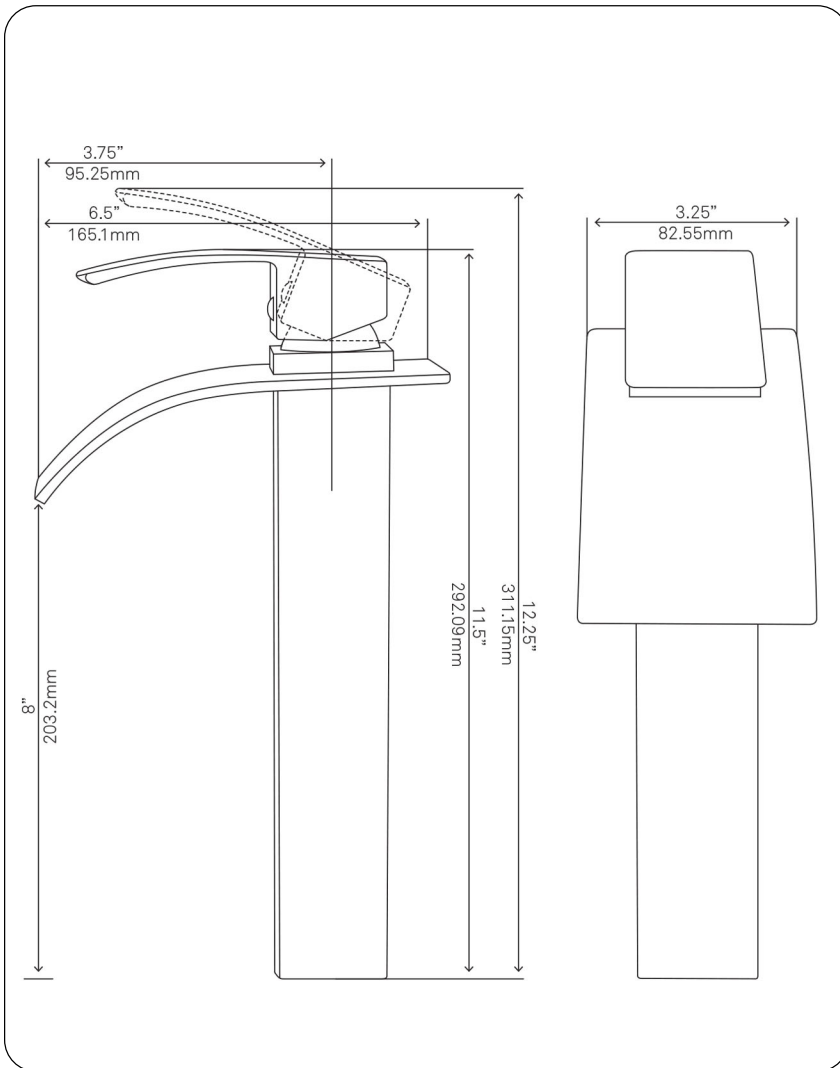
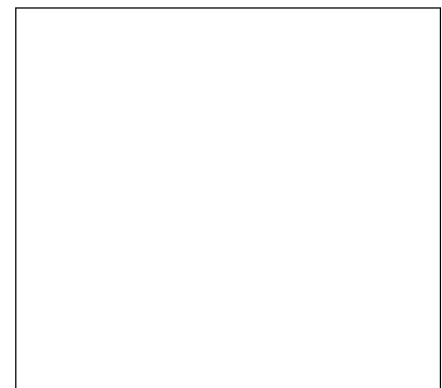
WARRANTY:

- Limited lifetime warranty
- See www.Novatto.com for details

COORDINATING ACCESSORIES:

- PUD-GM pop-up drain
- MR-001GM mounting ring
- Glacier Ice Restoration and Sealer kit

NOTES



Novatto reserves the right (1) to make changes in specifications and materials, and (2) to change or discontinue models, both without notice or obligation. Dimensions are for reference only, see www.Novatto.com for finish options and product availability.

Novatto Inc
TOLL FREE 844.404.4242
www.Novatto.com